

INVITATION LETTER

Korea-Indonesia SMEs Technology Conference 2021

Oktober, 21th 2021

09:00 - 17:00 WIB

Sheraton Hotel Jakarta

To : Director / Manager Business Development

Salam!

It is my great pleasure to inform you that **“TECHNOLOGY CONFERENCE 2021 DEVICE ONLINE BUSINESS MEETING”** will be coming in Jakarta and we will hold business meetings at :

EVENT SCHEDULE

DATE/TIME	: 21 OCT 2021, Pukul : 09:00 – 17:00 WIB
ORGANIZED BY	: Ministry of SME's and Startups, BKPM, KOSME
PLACE	: Video Conferencing (Sheraton Hotel Jakarta)
BENEFITS & PRE-REGISTER	: Lunch & Interpreter provided Priority meeting set-up
PRODUCT	: Product details see below

This event is organized by **“TECHNOLOGY CONFERENCE 2021 DEVICE ONLINE BUSINESS MEETING”**

In this regard, we cordially invite your company to have business meetings with Korean companies in this event. We hope you can find profitable opportunity with competitive products and partnerships with Korean companies.

If you need further information about this trade mission, please do not be hesitate to contact us by,

Phone : +62 812 4997 8971
Email : ad@indoweb.org
Contact Person : Devina

We are looking forward to hearing from you soon and joining us. Thank you very much for your kind attention.

Participation

To participate in the **“TECHNOLOGY CONFERENCE 2021 DEVICE ONLINE BUSINESS MEETING”**, please fill out the application form below and return email.

Application Form

- Company Information -

**Company
Name**

Position

Tel

HP

E-mail

Website

Address

**Jenis
Usaha**

Detail of Korean Company

Company

1. INVENTIS Co., Ltd.

Product

INVENTIS Co., Ltd. is a company engaged in the field of high-technology automated IT. With 3D and CG Platform with high quality, among other products are Dealer 365, AutoRander and 3D Configurator. With a platform for making high-quality 3D and CG images, it makes it easier for buyers to design the desired vehicle. Marketing can also be done in applications that have been developed with various features available in the Dealer 365 application. ranging from smart service, smart sales to self driving. Buyers who are looking for are buyers who are engaged in technology & automotive.



Website

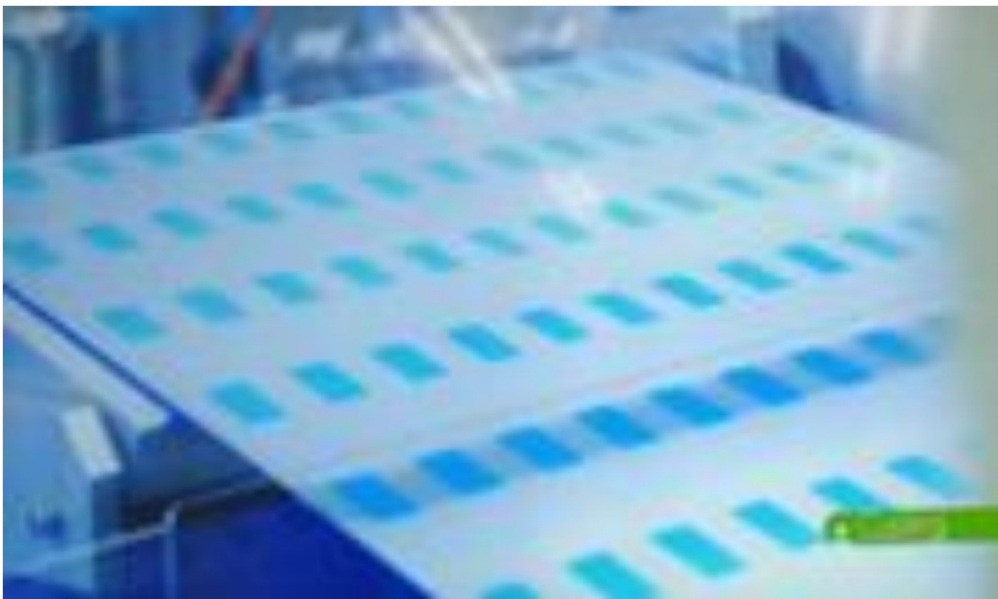
www.inventis.co.kr

Company

2. CI Pharm. Co., Ltd.

Product

CI Pharm. Co., Ltd. is a Global No.1 with ODF company. various kinds of drugs, vitamin supplements which are produced in the form offilms that make it very easy for customers to consume them. Pharmaceutical company that produces vitamins , drugs and various kinds of supplements in the form of films . which makes it easier for customers to consume it and also carry it. good for the elderly, children and even animals. This company is looking for buyers who are engaged in food sales, pharmaceuticals and healthy food sales.



Website

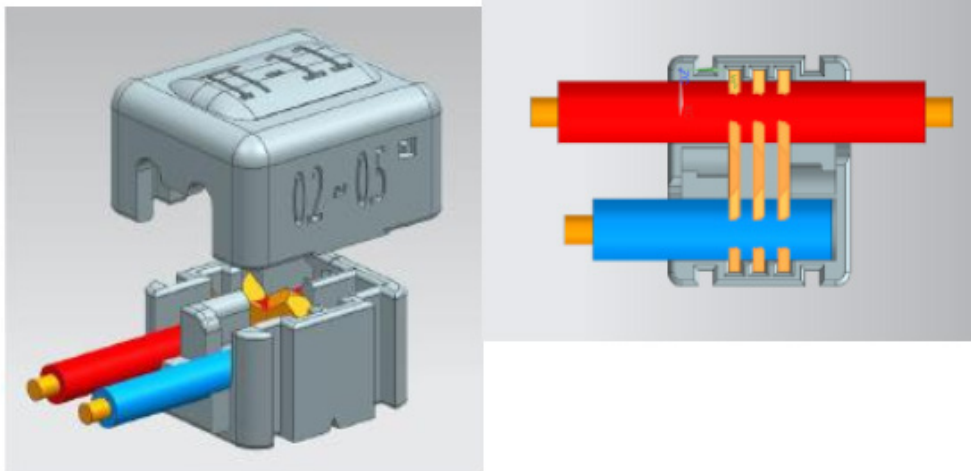
www.clpharm.com

Company

3. Alphao Co., Ltd.

Product

Alphao Co., Ltd. is a company that produces cable connectors with excellent quality and affordable prices. Water-resistant and reduce various kinds of obstacles. connector cable is a connector between cable 1 and other cables without having to open the cable skin. Connectors are needed in connecting cables because in addition to reducing the risk of short circuits, they can also save space. companies or entrepreneurs who are engaged in wiring or assembly are suitable buyers for companies that produce these connectors.

*Website*

www.alphao.kr

Company

4. Korea Alpha System Co., Ltd.

Product

Korea Alpha System Co., Ltd. is a video security system company established in 2001 and has a vehicle number recognition system and object tracking system technology. This company has also released their newest product, AL Smart Parking. This company is very fast in its development both in developing S/W or H/W. Buyers who run a business as a CCTV supplier or install smart parking tools are very suitable for this one company. Because everything that is produced uses high technology and has been tested.



Website

www.kasnet.co.kr

Company

5. Hanyang Food

Product

Hanyang Foods is leading the globalization of Korean food through domestic and overseas sales networks, In order to establish the right food culture, the best raw materials are safely produced in sanitary facilities, The company also produces various types of tteokbokki. There are tteokbokki noodles that are long like noodles , look very unique and have a good taste . Even the tteokbokki sauce is processed directly by Hanyang Food.

Not only selling in the form of wet food, but this company also produces tteokbokki in dry form, kilos, packages or sets and can even follow requests submitted by customers. The buyers that Hanyang Food is looking for are companies or authorities who are suppliers of Korean food, because tteokbokki is one of the Korean specialties that is currently worldwide.



Website

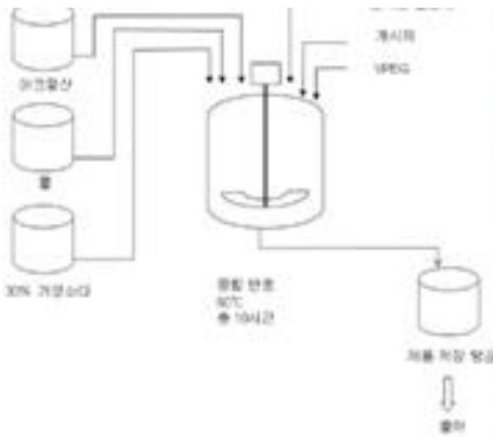
www.hyfood.com

Company

6. KMB Co., Ltd.

Product

KMB Co., Ltd is a company that produces concrete with a strong and sturdy structure. The company is involved in the manufacture of several large building projects in Korea, 2 of which are Busan International Finance Center (BIFC) 2008-2014 with a height of 289m (63 floors) and Jeju Dream Tower (Complex Resort) with a height of 169m (38 floors). The buyer that this company is looking for is a company engaged in construction or a supplier of materials for development projects.



Website

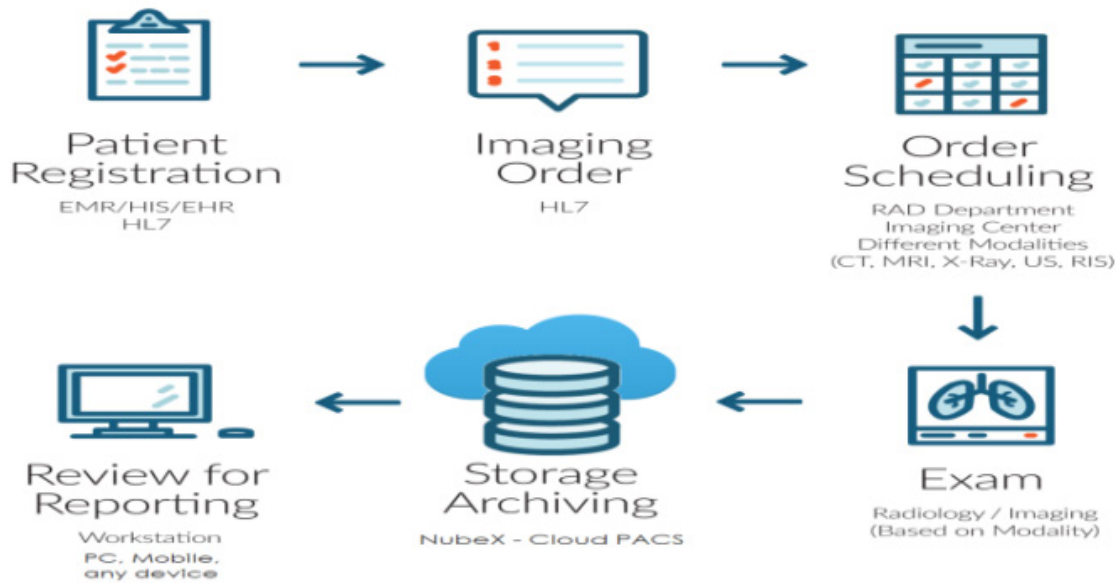
www.kmbcc.com

Company

7. Techheim Co., Ltd.

Product

Techheim Co., Ltd. is a Leader of Medical Solution Provider . This company is a leading company engaged in the medical field. Because this company provides a very useful PACS system for patients. The hospital is a very suitable buyer to be a buyer for this company. PACS itself is a computing system that manages the transmission of medical images.



Website

www.techheim.net

Company

8. AON Company

Product

AON Company is denture manufacturing company using high quality 3D printer machines and with various advantages. some of the products provided: 3D Printer, Slurry, Smart Dental Lab Solution. The company that developed this 3D printer has many advantages including: lower prices, the process only takes 2-3 hours in 1 process with digital lighting processing where 1 layer with 30 single crowns, no maintenance costs, no dust and much more. again.

The buyers that this company is looking for are hospitals, universities, dentists, orthopedists, Korean dental labs.

*Website*

www.aoninni.com

Company

9. Tomato MNC Co., Ltd.

Product

Tomato MNC Co., Ltd. is a company Replacement for plaster bandage/ Orthopedic splint manufacturing technology/cast tape/ splint . Including companies engaged in medical needs. Being a distributor company to 30 countries for 15 years shows that the products produced are of very good quality and have many advantages. one of them is tomato soft cast, which has a very soft material, easy to cut and can be applied directly without having to use padding and is very suitable for children. Clinics, hospitals, pharmacies or suppliers of medical needs are very suitable to be buyers of this company.



Website

www.tomatomnc.com

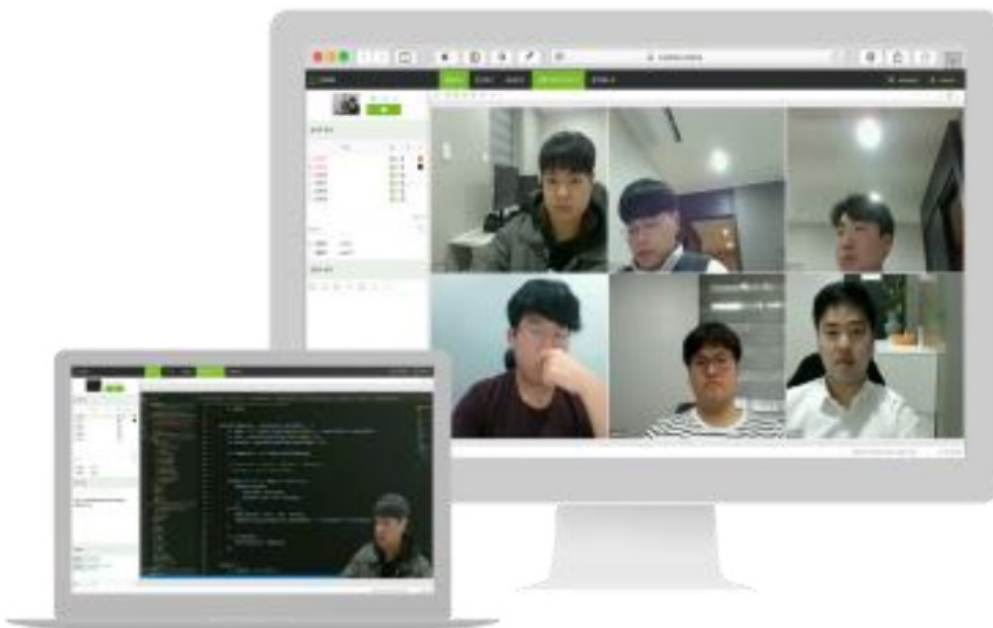
Company

10. HYICT Co., Ltd.

Product

HYICT Co., Ltd. is An application software technology providing a real-time dialogue-type video/remote education platform with a HD level resolution and speed even in a poor data communications infrastructure with a low frequency band . Has many more advantages than zoom.

For educational institutions, courses or online EO concerts or online fan meetings, it is very suitable to use the platform from this company

*Website*

www.hyict.kr

Company

11. Hongik Science & Technology Co, Ltd.

Product

Hongik Science & Technology Co, Ltd. high-tech IT company that is very fast in its development. This company that is growing in the field of IT solutions has smart solutions for factory systems. With a concept or program that is able to transmit or send data over a network without using the help of computers or humans. This company has many solutions related to IoT, Big Data and even Cloud. So that the buyers in this field are very suitable for this company .



기존 아이템의 생산 품목 교체 Lead Time 단축 및
생산 공정 과정에서 발생하는 낭비 요소를 제거

Website

www.hongikit.com

Company

12. Austa Global Trade

Product

Austa Global Trade Technology for manufacturing of molds for writing supplies and cosmetics containers with application of differentiated multi-molds. This company provides stationery with various colors and is well designed and comfortable to use. Photocopy and printing shops, companies or entrepreneurs who supply stationery are very suitable buyers for this company.



Website

www.ostarglobal.com

Company

13. E2Bio Co., Ltd.

Product

E2Bio Co., Ltd. is Extraction Technology for Natural Material-based Skin Whitening Functional Material, Anthranilic Acid, and the Technology-applied Cosmetics Manufacturing Technology . is a subsidiary of EIR Spa which is the no.1 SPA in South Korea with its various services. E2BIO is a company that produces high-quality skincare and is very helpful in beautifying themselves for women. Buyers who have a business or do business in the field of skincare or beauty clinics are very suitable if they work with this company.

*Website*

www.e2bio.co.kr

Company

14. Main Information System Co., Ltd.

Product

Main Information System Co., Ltd. is a company with best Data collection solution on the road using driver’s mobile device. companies that develop mobile device drivers that are very profitable for drivers. This is because the features of this device are numerous , some of which are being able to receive and hang up the phone listening to music, get a comfortable trip with maps results that avoid traffic jams and some roadblocks and can even find shortcuts . A very special advantage of this device is the self drive, where the steering wheel can drive stably by itself according to the intended tracking and can sense the surroundings



Website

www.maininfo.co.kr

*Company***15. Medizen Humancare Inc.***Product*

Medizen Humancare Inc. is a company with Personal disease prediction service. A company that produces a disease diagnosis system so that patients know more deeply and in more detail about their disease. This company is looking for buyers who are in the medical field or medical checkup. such as a hospital or health laboratory.



국내 최대 질병발생 예측 유전체분석 서비스

www.medizencare.com



메디젠휴먼케어의 온라인 웰에이징 유전체분석 서비스

www.melthy.co.kr

Website

www.medizencare.com



Ministry of SMEs
and Startups



MINISTRY OF INVESTMENT/
INDONESIA INVESTMENT COORDINATING BOARD

KOSME
Korea SMEs and Startups Agency